



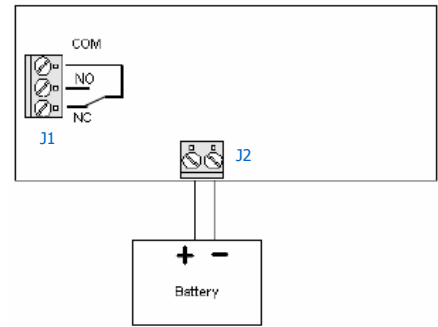
## Battery Alarm

### Remote panel adjustments

Dipswitch explanation:

	A 12V	24V	B 12V	24V
1	-0,1V	-0,1V	ON	ON
2	-0,2V	-0,2V	ON	OFF
3	-0,2V	-0,2V	Not used	Not used
4	-0,5V	-0,5V	HYSB +1,25V	HYSB +2,50V
5	-1V	-1V	HYSA +2,50V	HYSA +5V
6	-2V	-2V	Uhigh -2V	Uhigh -2V
7	ON	OFF	Uhigh -1V	Uhigh -1V
8	Not used	Not used	ON	OFF

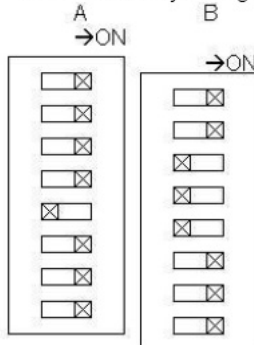
**Warning:**  
For the J1 connector on the PCB the contacts (COM, NO and NC) are as per diagram below!



Wiring Diagram

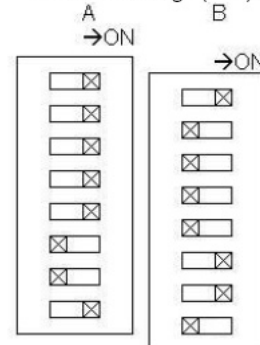
- Place A7, B2, B8 on the 12V or 24V setting. [ON=12V] [OFF=24V]
- B1 always ON
- With the Dipswitches A1 t/m A6 chose a higher or lower Ulow alarm.
- Place A1, A2, A3, A4, A5, A6 = ON, then Ulow = 9.5V or  
A1, A2, A3, A4, A6 = ON, and A5 = OFF, then Ulow = 10.5V or  
A1, A2, A3, A4, A5 = ON, and A6 = OFF, then Ulow = 11.5V.
- With the Dipswitches B6, B7 chose a higher or lower Uhigh alarm.  
B6, B7 = ON. The Uhigh alarm is 15V. Change this with B6 and B7.  
B6 = ON, and B7 = OFF, then Uhigh alarm is 16V  
B6 = OFF, and B7 = ON, then Uhigh alarm is 16.5V
- B4, B5 = OFF. The hysteresis for Ulow alarm is now 1V for 12V and 24V Battery Alarm remote panel.  
For another hysteresis; switch B4 and/or B5 to the ON position.  
B4 gives a 1V+1.25V hysteresis for a 12V Battery Alarm and 2V+2.5V for a 24V Battery Alarm.  
B5 gives a 1V+2.50V hysteresis for a 12V Battery Alarm and 2V+5V for a 24V Battery Alarm.

Standard factory settings (12V):



10.5V low alarm on 11.5V alarm off  
15.5V high

Standard settings (24V):



21V low alarm on 23V alarm off  
31V high

